

TECHNICAL DATA 2012-2



TABBERT

M o v i n g M o m e n t s

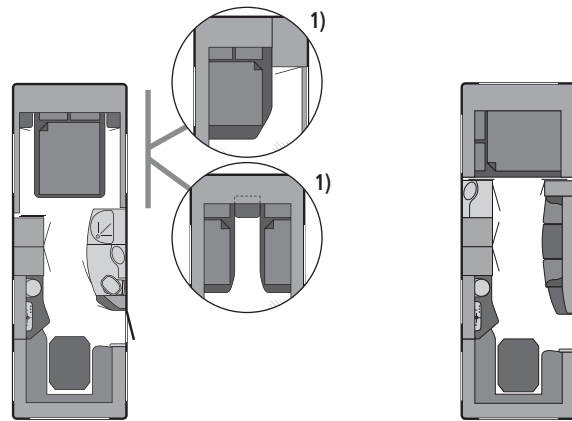
TRADITION. DEMAND. QUALITY.

- = Option
- = not possible
- S = standard

	Paganini	Puccini	Vivaldi	DaVinci
1. CHASSIS				
• Alloy wheels in silver	-	•	•	•
• Alloy wheels painted in black	S	•	•	•
• Wide-track safety chassis with axle shock absorbers	S	S	S	S
• Drawbar cover	S	•	•	•
• Smooth running chassis	S	S	S	S
• Low-profile tyres	S	S	S	S
• Stabiliser safety coupling (AKS) 2004 with softdock	S	S	S	S
2. BODY				
• Illuminated entrance step with Tabbert lettering (integrated and insulated)	S	S	S	S
• Polyplastic hinged double windows, tinted for sun screening	-	-	-	S
• Seitz hinged double windows, tinted for sun screening	-	-	S	-
• Seitz S6 hinged double windows (for Paganini not in combination with F.A.C.E package => here Polyvision windows)	S	S	-	-
• Plain sheet metal	•	S	-	-
• Belt line strip - standard	-	S	S	S
• Belt line strip - silver chromium	•	•	•	•
• Belt line strip - silver chromium, double	-	-	-	-
• Lift-tilt rooflight, version 2 (HEKI 2)	S	S	S	S
• Midi Heki	-	-	-	-
• Entrance door with window, waste bin, and tray area	-	S	S	S
• Integrated aluminium gas bottle locker bottom with spare wheel holder	S	•	•	•
• Combination blinds and flyscreens	S	S	S	S
• Comfortable hand grips	S	S	S	S
• Comfort door with safety concept	S	S	S	S
• Mini hammer finish	S	-	S	S
• Mini-Heki, with forced ventilation	S	S	S	S
• Service hatch in the side wall (depending on the layout)	S	S	S	S
• Safety rear lights with LEDs incl. direction indicators	-	S	-	-
• Safety rear lights with round single lights (except Paganini)	-	-	S	S
• Tabbert premium roof with integrated air-conditioning channels for optimal cold air distribution	S	-	-	-
• Tabbert comfort roof	-	S	S	-
• Tabbert light control system (with individual lighting scenes: Coming Home, Dining Light, and TV Light)	S	S	S	S
• 12 V awning lamp above the entrance door	S	S	S	S
3. LIVING ROOM				
• 2 m beds (depending on the layout)	S	S	S	-
• Exclusive upholstery designs (see options for upholstery selection)	S	S	S	S

- = Option
- = not possible
- S = standard

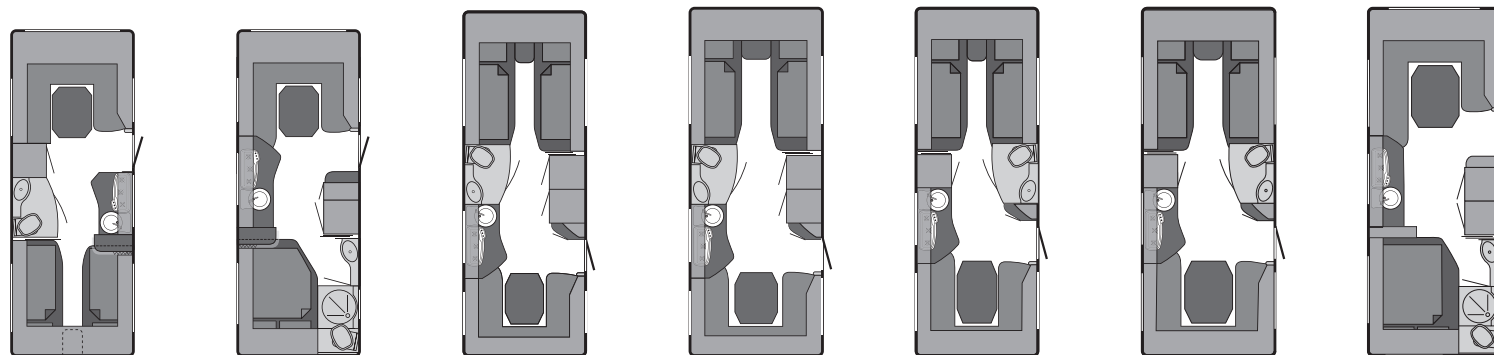
	Paganini	Puccini	Vivaldi	DaVinci
• Ventilated seat stowage boxes, and rear-ventilation of the top cabinets into the roof (in the front and in the rear)	S	S	S	S
• Hinged bed base with mattress holder (spring mattress)	S	S	S	S
• Ceiling panels (Puccini illuminated with LEDs)	-	S	S	S
• Ceiling panels covered with Alcantessa all around and illuminated with LEDs	S	-	-	-
• Dimmable bulbs	S	S	-	-
• Top cabinet doors in real wood veneer (Paganini with gas pressure springs)	S	S	-	-
• Corner shelves	S	S	S	-
• column lifting table (not possible for all models)	•	S	S	•
• Extra-high backrests for optimal seating comfort	-	S	S	S
• Indirect LED light strip under the tray	-	S	•	S
• PVC floor covering	S	S	S	S
• Stowage flap in the seat box front part (not possible for all models)	S	S	S	S
• Headroom 195 cm	S	S	S	S
4. KITCHEN AND BATH				
• refrigerator (volume in litres)	97	97	97	97
• 655 DF exclusive shower with illuminated ceiling	S	-	-	-
• Dometic toilet with ceramic coating	S	S	S	-
• Thetford cassette toilet	-	-	-	S
•				
5. ELECTRIC SYSTEM				
• 13-pole connector plug, "Jäger" system (DIN 72570)	S	S	S	S
• LED-bulbs (low-current, long service life)	S	S	S	-
• Flicker-free 20 W bulbs (long service life, no brightness fluctuations)	S	S	S	S
• Optimised power supply (constant brightness also in case of changing illumination, no flickering, no voltage fluctuations, silent operation)	S	S	S	S
• SAT antenna cable, laid and TV preparation	S	S	S	S
• Converter / switching power supply 400 VA	S	S	S	S
• USB card location	S	S	S	-
6 GAS / WATER				
• Gas pipe (Ø 10 mm) from gas bottle to distributor block	S	S	S	S
• Truma SL5002 heating, two fan motors and heating circuits, heating fan (12 V) with automatic speed control (as from body length 540)	S	S	S	S
• Open fire front case for Truma SL 5002	•	•	•	•
• Hot water supply (in kitchen and toilet, with Truma Therme)	S	S	S	S
• 45 l fresh water tank, built-in	S	S	S	S



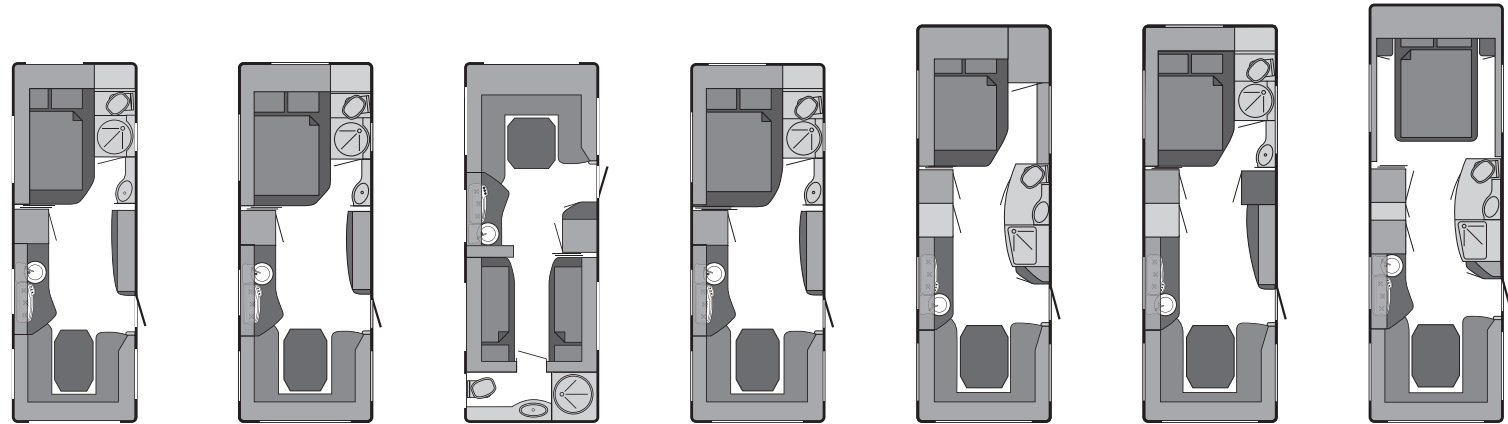
technical data/equipment details	Paganini 655 DF ¹⁾	Paganini 655 MDW
length including drawbar, approx. in cm ▶	906	906
total length including gas bottle box, approx. in cm ▶	775	775
total length without gas bottle box, approx. in cm ▶	660	660
vehicle body width, approx. in cm ▶	250	250
total height, approx. in cm ▶	265	265
mass of the unladen vehicle, approx. in kg *	1890	1890
mass in running order (MIRO), approx. in kg *	1960	1960
maximum technically permissible laden mass in kg *	2200	2200
maximum user payload, approx. in kg *	310	310
tyre size ▶	205/65 R15 rf Li 99 (775)	205/65 R15 rf Li 99 (775)
awning dimensions, approx. in cm ▶	1080	1080
bed dimensions front, approx. in cm ▶	194 x 148	155 x 224
bed dimensions middle, approx. in cm ▶	-	186 x 63
bed dimensions rear, approx. in cm ▶	217 x 171/147	217 x 161/157
number of sleeping berths ▶	4	5
number of sky lights ▶	2 + Heki 2	2 + Heki 2
number of lamps 12 V ▶	9	9
number of socket outlets 230 V ▶	6	6
refrigerator type/l ▶	RM 8500 / 100 (Dometic)	RM 8500 / 100 (Dometic)
heating Truma-type ▶	S 5002 (Truma)	S 5002 (Truma)

1) Notice:: A single or double bed version you will find at our optional equipment

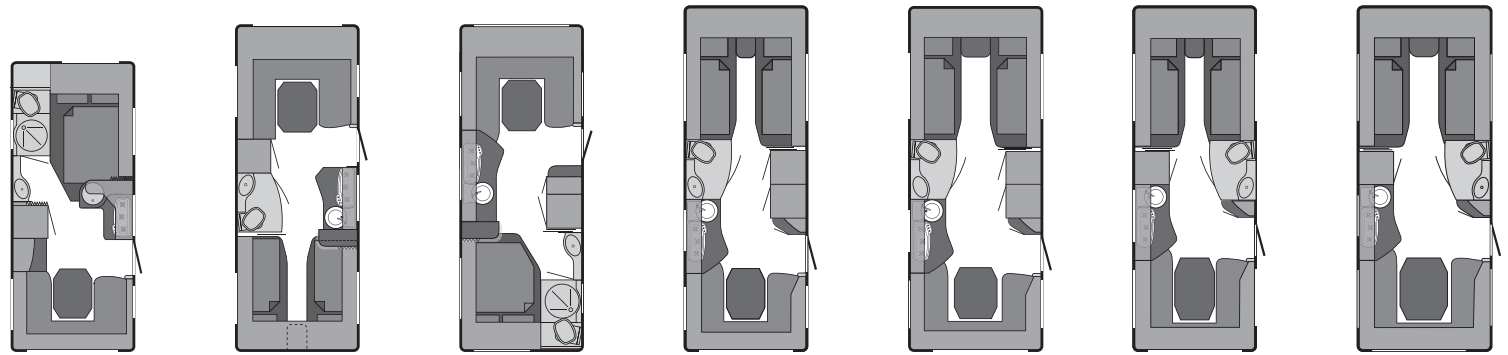
* For explanations on the weight data for your Tabbert caravan please refer to page 12



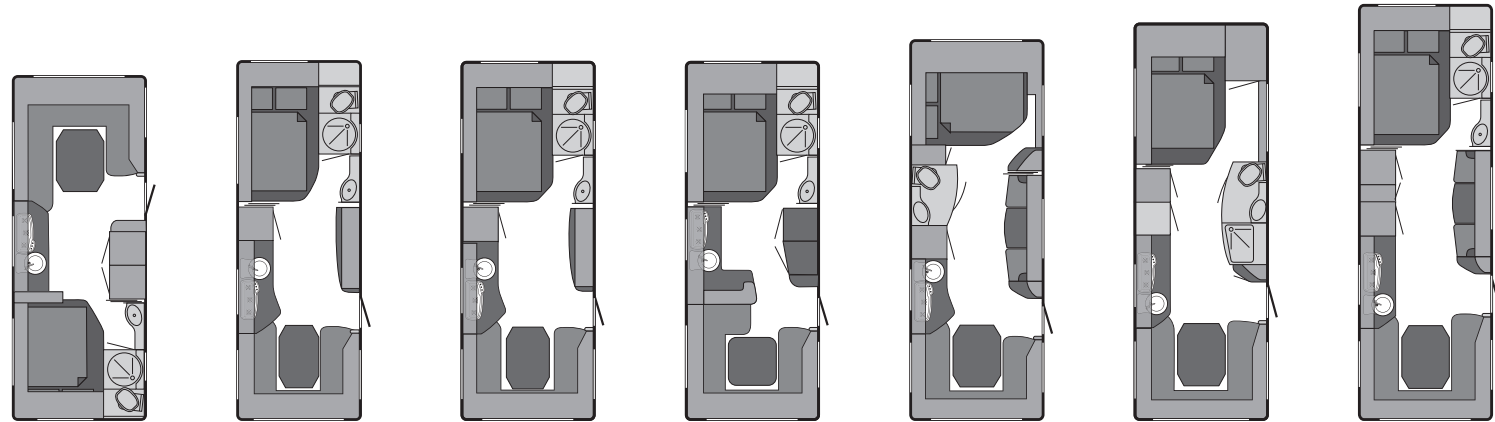
technical data/equipment details	Puccini 495 HE	Puccini 495 HTD	Puccini 550 E 2,3	Puccini 550 E 2,5	Puccini 560 E 2,3	Puccini 560 E 2,5	Puccini 560 HTD 2,5
length including drawbar, approx. in cm ▶	725	725	761	761	761	761	761
total length including gas bottle box, approx. in cm ▶	607	607	643	643	643	643	643
total length without gas bottle box, approx. in cm ▶	532	532	568	568	568	568	568
vehicle body width, approx. in cm ▶	230	230	230	250	230	250	250
total height, approx. in cm ▶	265	265	265	265	265	265	265
mass of the unladen vehicle, approx. in kg *	1.340	1.340	1.430	1.450	1.430	1.450	1.450
mass in running order (MIRO), approx. in kg *	1.410	1.410	1.500	1.520	1.500	1.520	1.520
maximum technically permissible laden mass in kg *	1.600	1.600	1.700	1.700	1.700	1.700	1.700
maximum user payload, approx. in kg *	260	260	270	250	270	250	250
tyre size ▶	205/70 R15C Li 106 (950)	205/70 R15C Li 106 (950)	205/70 R15C Li 106 (950)	205/70 R15C Li 106 (950)	205/70 R15C Li 106 (950)	205/70 R15C Li 106 (950)	205/70 R15C Li 106 (950)
awning dimensions, approx. in cm ▶	994	994	1030	1030	1030	1030	1030
bed dimensions front, approx. in cm ▶	200 x 149/125	200 x 137/125	200 x 85 / 188 x 85	200 x 85 / 188 x 85	200 x 85 / 188 x 85	200 x 85 / 188 x 85	218 x 173/125
bed dimensions middle, approx. in cm ▶	-	-	-	-	-	-	-
bed dimensions rear, approx. in cm ▶	200 x 85 / 188 x 85	200 x 137	200 x 129/125	218 x 129/125	200 x 157/153	218 x 157/153	200 x 155
number of sleeping berths ▶	4	4	4	4	4	4	4
number of sky lights ▶	2 + Heki 2	1 + Heki 2	2 + Heki 2	2 + Heki 2	2 + Heki 2	2 + Heki 2	1 + Heki 2
number of lamps 12 V ▶	9	9	9	9	9	9	9
number of socket outlets 230 V ▶	5	6	6	6	6	6	7
refrigerator type/l ▶	RMS 8500/90 (Dometic)	RMS 8500/90 (Dometic)	RM 8500/100 (Dometic)	RM 8500/100 (Dometic)	RM 8500/100 (Dometic)	RM 8500/100 (Dometic)	RM 8500/90 (Dometic)
heating Truma-type ▶	S 3002	S 3002	S 5002	S 5002	S 5002	S 5002	S 5002



technical data/equipment details	Puccini 560 TD 2,3	Puccini 560 TD 2,5	Puccini 560 UEB	Puccini 590 TD	Puccini 655 D	Puccini 655 TD	Puccini 685 DF
length including drawbar, approx. in cm ▶	783	783	783	783	853	853	883
total length including gas bottle box, approx. in cm ▶	665	665	665	665	735	735	765
total length without gas bottle box, approx. in cm ▶	590	590	590	590	660	660	690
vehicle body width, approx. in cm ▶	230	250	250	250	250	250	250
total height, approx. in cm ▶	265	265	265	265	265	265	265
mass of the unladen vehicle, approx. in kg * ▶	1.450	1.490	1.490	1.570	1.660	1.660	1.690
mass in running order (MIRO), approx. in kg * ▶	1.520	1.560	1.560	1.640	1.730	1.730	1.760
maximum technically permissible laden mass in kg * ▶	1.700	1.700	1.700	1.900	2.000	2.000	2.000
maximum user payload, approx. in kg * ▶	250	210	210	330	340	340	310
tyre size ▶	205/70 R15C Li 106 (950)	205/70 R15C Li 106 (950)	205/70 R15C Li 106 (950)	185/65 R15 Li 88 (560)	185/65 R15 Li 88 (560)	185/65 R15 Li 88 (560)	185/65 R15 Li 88 (560)
awning dimensions, approx. in cm ▶	1052	1052	1052	1050	1120	1120	1150
bed dimensions front, approx. in cm ▶	200 x 137	200 x 155	218 x 143/125	200 x 155	200 x 155	200 x 155	190 x 148
bed dimensions middle, approx. in cm ▶	-	-	-	-	-	-	-
bed dimensions rear, approx. in cm ▶	200 x 147/153	218 x 147/153	2 x 200 x 85	218 x 147/153	218 x 157/163	218x157/153	218 x 157/173
number of sleeping berths ▶	4	4	4	4	4	4	4
number of sky lights ▶	1 + Heki 2	1 + Heki 2	1 + Heki 2	1 + Heki 2	2 + Heki 2	1 + Heki 2	2 + Heki 2
number of lamps 12 V ▶	9	9	9	9	9	9	9
number of socket outlets 230 V ▶	7	7	9	7	6	6	7
refrigerator type/l ▶	RM 8500/100 (Dometic)	RM 8500/100 (Dometic)	RM 8500/100 (Dometic)	RM 8500/100 (Dometic)	RMS 8500/90 (Dometic)	RMS 8500/90 (Dometic)	RM 8500/100 (Dometic)
heating Truma-type ▶	S 5002	S 5002	S 5002	S 5002	S 5002	S 5002	S 5002

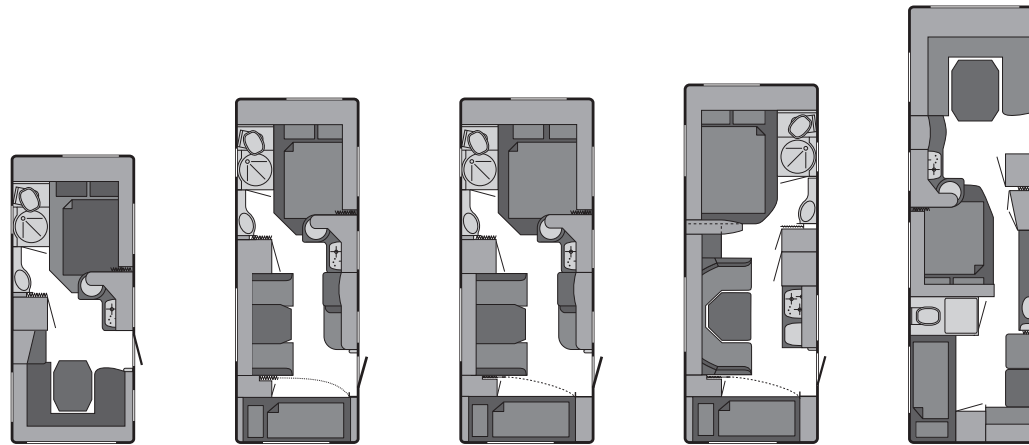


technical data/equipment details	Vivaldi 450 TD	Vivaldi 495 HE	Vivaldi 495 HTD	Vivaldi 550 E 2,3	Vivaldi 550 E 2,5	Vivaldi 560 E 2,3	Vivaldi 560 E 2,5
length including drawbar, approx. in cm ▶	663	725	725	761	761	761	761
total length including gas bottle box, approx. in cm ▶	545	607	607	643	643	643	643
total length without gas bottle box, approx. in cm ▶	470	532	532	568	568	568	568
vehicle body width, approx. in cm ▶	230	230	230	230	250	230	250
total height, approx. in cm ▶	265	265	265	265	265	265	265
mass of the unladen vehicle, approx. in kg *	1.220	1.320	1.320	1.410	1.430	1.410	1.430
mass in running order (MIRO), approx. in kg *	1.290	1.390	1.390	1.480	1.500	1.480	1.500
maximum technically permissible laden mass in kg *	1.500	1.600	1.600	1.700	1.700	1.700	1.700
maximum user payload, approx. in kg *	280	280	280	290	270	290	270
tyre size ▶	205/65 R15 rf Li 99 (775)	205/70 R15C Li 106 (950)	205/70 R15C Li 106 (950)	205/70 R15C Li 106 (950)	205/70 R15C Li 106 (950)	205/70 R15C Li 106 (950)	205/70 R15C Li 106 (950)
awning dimensions, approx. in cm ▶	932	994	994	1030	1030	1030	1030
bed dimensions front, approx. in cm ▶	200 x 145	200 x 149/125	200 x 137/125	200 x 85/188x85	200 x 85/188x85	200 x 85 / 188 x 85	200 x 85 / 188 x 85
bed dimensions middle, approx. in cm ▶	-	-	-	-	-	-	-
bed dimensions rear, approx. in cm ▶	200 x 133/115	200 x 85 / 188 x 85	200 x 137	200 x 129/125	218 x 129/125	200 x 157/153	218 x 157/153
number of sleeping berths ▶	4	4	4	4	4	4	4
number of sky lights ▶	1 + Heki 2	2 + Heki 2	1 + Heki 2	2 + Heki 2	2 + Heki 2	2 + Heki 2	2 + Heki 2
number of lamps 12 V ▶	8	8	8	8	8	8	8
number of socket outlets 230 V ▶	6	5	6	6	6	6	6
refrigerator type/l ▶	RMS 8500/90 (Dometic)	RMS 8500/90 (Dometic)	RMS 8500/90 (Dometic)	RM 8500/100 (Dometic)	RM 8500/100 (Dometic)	RM 8500/100 (Dometic)	RM 8500/100 (Dometic)
heating Truma-type ▶	S 3002	S 3002	S 3002	S 5002	S 5002	S 5002	S 5002



technical data/equipment details	Vivaldi 560 HTD 2,5	Vivaldi 560 TD 2,3	Vivaldi 560 TD 2,5	Vivaldi 560 TDL 2,5	Vivaldi 640 MD	Vivaldi 655 D	Vivaldi 690 MD
length including drawbar, approx. in cm ▶	761	783	783	783	823	853	883
total length including gas bottle box, approx. in cm ▶	643	665	665	665	705	735	765
total length without gas bottle box, approx. in cm ▶	568	590	590	590	630	660	690
vehicle body width, approx. in cm ▶	250	230	250	250	250	250	250
total height, approx. in cm ▶	265	265	265	265	265	265	265
mass of the unladen vehicle, approx. in kg *	1.430	1.430	1.470	1.470	1.610	1.640	1.670
mass in running order (MIRO), approx. in kg *	1.500	1.500	1.540	1.540	1.680	1.710	1.740
maximum technically permissible laden mass in kg *	1.700	1.700	1.700	1.700	2.000	2.000	2.000
maximum user payload, approx. in kg *	270	270	230	230	390	360	330
tyre size ▶	205/70 R15C Li 106 (950)	205/70 R15C Li 106 (950)	205/70 R15C Li 106 (950)	205/70 R15C Li 106 (950)	185/65 R15 Li 88 (560)	185/65 R15 Li 88 (560)	185/65 R15 Li 88 (560)
awning dimensions, approx. in cm ▶	1030	1052	1052	1052	1090	1120	1150
bed dimensions front, approx. in cm ▶	218 x 173/125	200 x 137	200 x 155	200 x 155	200 x 137	200 x 155	200 x 155
bed dimensions middle, approx. in cm ▶	-	-	-	-	186 x 58	-	186 x 58
bed dimensions rear, approx. in cm ▶	200 x 155	200 x 147/153	218 x 147/153	218 x 200/153	218 x 147/135	218 x 157/163	218 x 155/175
number of sleeping berths ▶	4	4	4	4	5	4	5
number of sky lights ▶	1 + Heki 2	1 + Heki 2	1 + Heki 2	1 + Heki 2	2 + Heki 2	2 + Heki 2	1 + Heki 2
number of lamps 12 V ▶	8	8	8	8	10	8	11
number of socket outlets 230 V ▶	6	7	7	6	8	6	7
refrigerator type/l ▶	RMS 8500/90 (Dometic)	RM 8500/100 (Dometic)	RM 8500/100 (Dometic)	RMS 8500/90 (Dometic)	RM 8500/100 (Dometic)	RMS 8500/90 (Dometic)	RML 8550/179 (Dometic)
heating Truma-type ▶	S 5002	S 5002	S 5002	S 5002	S 5002	S 5002	S 5002

* For explanations on the weight data for your Tabbert caravan please refer to page 12.



technical data/equipment details	Da Vinci 450 TD	Da Vinci 540 DM 2,3	Da Vinci 540 DM 2,5	Da Vinci 585 DM	Da Vinci 700 KD
length including drawbar, approx. in cm ▶	662	765	765	782	936
total length including gas bottle box, approx. in cm ▶	538	641	641	658	813
total length without gas bottle box, approx. in cm ▶	465	568	568	585	740
vehicle body width, approx. in cm ▶	230	230	250	250	250
total height, approx. in cm ▶	262	262	262	262	262
mass of the unladen vehicle, approx. in kg *	1075	1255	1320	1400	1785
mass in running order (MIRO), approx. in kg *	1145	1325	1390	1470	1855
maximum technically permissible laden mass in kg *	1300	1600	1600	1600	2200
maximum user payload, approx. in kg *	225	345	280	200	415
tyre size ▶	205/65 R15 Li99 (775)	205/70 R15C Li106 (950)	205/70 R15C Li106 (950)	205/70 R15C Li106 (950)	205/65 R 15 rf Li99 (775)
awning dimensions, approx. in cm ▶	915	1023	1023	1040	1194
bed dimensions front, approx. in cm ▶	195 x 145	195 x 145	195 x 163	195 x 155	224 x 153/146
bed dimensions middle, approx. in cm ▶		181 x 98	181 x 116	204 x 116	195 x 143
bed dimensions rear, approx. in cm ▶	206 x 136/121	189 x 71 / 189 x 64	189 x 71 / 189 x 64	189 x 71 / 189 x 64	3 x 183 x 68
number of sleeping berths ▶	4	5	5	5	7
number of sky lights ▶	1 + Heki 2	1 + Heki 2	1 + Heki 2	1 + Heki 2	3 + Heki 2
number of lamps 12 V ▶	8	10	10	10	11
number of socket outlets 230 V ▶	5	5	5	5	8
refrigerator type/l ▶	RM 8500 / 90 (Dometic)	RM 8500 / 90 (Dometic)	RM 8500 / 90 (Dometic)	RM 8500 / 90 (Dometic)	RM 8550 / 179 (Dometic)
heating Truma-type ▶	S 3002	S 5002	S 5002	S 5002	S 5002

item code		Paganini	Puccini	Vivaldi	DaVinci
	<ul style="list-style-type: none"> • = Option - = not possible S = standard 				
	Chassis				
150840	ALKo Big Foot heavy load supports	•	•	•	•
150266	ALKO-Safety Compact 2004	•	•	•	•
151365	AL-KO jack kit (contains holding box, mounting parts, bolts), comes in a practical transport box	•	•	•	•
151366	ALKO-Trailer-Control	•	•	•	•
101353	Drawbar cover	S	•	•	•
151840	total weight as from 1,900 kg spare wheel – only in combination with option 151370	–	•	•	–
151369	total weight up to and including 1,500 kg spare wheel 205/65 R 15 RF with steel rim silver 5 ½ J x 15 H2	–	–	•	•
151370	total weight 1,501 kg – 1,800 kg spare wheel 205/70 R 15 C with steel rim silver 5 ½ J x 15 H2	–	•	•	•
151371	from model 620 on, total weight up to and including 2,000 kg spare wheel 185/65 R 15 with steel rim silver 5 ½ J x 15 H2	–	•	–	–
151372	from model 620 on, total weight up to and including 2,500 kg spare wheel 205/65 R 15 with steel rim silver 5 ½ J x 15 H2	–	•	–	–
	Wheel locks and alloy wheels				
151373	wheel lock for single-axle (2 bolts) with alloy wheels	•	•	•	•
151374	wheel lock for twin-axle (4 bolts) with alloy wheels	•	•	•	•
151678	Hydraulic corner steadies - prerequisite for installation: combination with autarkic or 12 Volt package	•	•	–	–
151375	tyres with alloy wheels	–	•	•	•
151376	tyres with alloy wheels, silver as from 1,501 kg	–	•	•	•
151379	tyres with alloy wheels, silver up to 2,000 kg (single-axle models)	–	•	•	•
151380	tyres with alloy wheels, silver as from 2,001 kg (twin-axle models)	–	•	•	•
151378	tyres with alloy wheels, glossy black as from 2,001 kg	S	•	•	•
151381	tyres with alloy wheels, glossy black up to 2,000 kg (single-axle models)	S	•	•	•
151382	tyres with alloy wheels, glossy black as from 2,001 kg (twin-axle models)	S	•	•	•
151838	alloy wheels, glossy black instead of silver (single-axle models) - only in combination with Tabbert Premium package, article-no. 150080	–	•	•	–
151839	tyres with alloy wheels, glossy black as from 2,001 kg (twin-axle models) - only in combination with Tabbert Premium package, article-no. 150081	–	•	•	–
	roof, windows, bottle case, doors, vents				
101342	rear window (depending on layout)	–	–	•	•
101422	front window instead of dummy disc (depending on layout)	•	–	–	–
101351	Mini-Heki instead of Heki 2	•	•	•	•
101352	Roof strengthening for Kathrein automatic antenna	•	•	•	•
101383	made of alu checker plate	S	•	•	•
100887	glas fiber reinforced plastic roof (white)	•	–	–	–
100170	Heki 2	S	S	S	S
100750	Midi Heki 700x 500 (depending on layout)	•	•	•	•
101330	Midi Heki additional (depending on layout)	–	•	•	•
101331	Midi Heki instead of Heki II	–	•	•	•

item code		Paganini	Puccini	Vivaldi	DaVinci
	<ul style="list-style-type: none"> • = Option - = not possible S = standard 				
101402	mosquito protection door 1/1	•	•	•	•
101403	mosquito blinds 1/2	•	•	•	•
100099	omnivent roof ventilator	–	•	•	•
100612	service flap 1,000 x 305 mm, white (depending on layout)	•	•	•	•
100612	service flap 700 x 305 mm, white (depending on layout) (Attention: Service flap in the seat group not in combination with Saphir air-conditioning system)	•	•	•	•
100612	service flap 700 x 405 mm, (depending on layout)	–	–	•	•
101341	toiletroom window 500 x 520 (depending on layout)	–	•	•	•
	Strips				
101397	strips above front and/or rear window	–	–	•	•
101398	strips at the side of and above front and/or rear window	–	•	–	–
101399	double belt line strips	•	•	•	•
101400	double belt line strips – silver	•	•	•	•
101617	belt line strips, simple – silver	•	•	•	•
	Furniture modifications				
551404	3rd bunk bed	–	–	–	•
551480	indirect LED light strip under the tray (ambiance lighting)	–	–	•	–
551345	Carpets for total width 2,3 m	•	•	•	•
551346	Carpets for total width 2,5 m	•	•	•	•
551347	Carpets for all modells from 655	•	•	•	•
551425	wardrobe instead of shower (PA 655 D, PU 655 D, PU 685 DF only)	•	•	–	–
551723	Sideboard/glass cabinet instead of shower (PU 685 DF only)	–	•	–	–
551426	3rd wardrobe instead of washroom PA 655 MDW	•	–	–	–
551408	roll bed – for single-bed caravans	•	•	•	•
551423	bedroom with double bed on one side (PA 655 DF, PU 685 DF)	•	•	–	–
551424	bedroom with single bed (PA 655 DF; PU 655 D + PU 685 DF)	•	•	–	–
551835	side seating group instead of glass cabinet (PU 655 TD)	–	•	–	–
551428	Couch (extendable) instead of centre seating group (PA 655 MDW)	•	–	–	–
551412	sliding table fitting	–	–	–	•
551413	telescopic table foot (depending on layout)	•	S	S	•
550342	Wooden sliding door - Da Vinci	S	S	S	•
551703	Kitchen top cabinets in real wood veneer - fine cherry instead of champagne	–	•	–	–
	Cushions (Standard)				
550921	Castello, Palazzo, Azzurro (series on Da Vinci)	•	•	•	S
550921	Belezza, Mocca, Vita (series on Vivaldi)	•	•	S	•
550921	Aida, Contina, Scala (series on Puccini)	•	S	•	•
550921	Avantgarde, Noblesse, Elegance (series on Paganini)	S	•	•	•
551416	genuine leather: Prestige (option)	•	•	–	–

item code		<ul style="list-style-type: none"> • = Option - = not possible S = standard 			
		Paganini	Puccini	Vivaldi	DaVinci
	Electrical equipment				
250940	12-V-socket outlet, additionally on the inside	•	•	•	•
250073	230-V-socket outlet for outside power supply, incl. antenna connection incl. antenna connection	•	•	•	•
250072	230-V-socket outlet, additionally on the inside	•	•	•	•
251336	aerial cable on drawbar, 5 m length	•	•	•	•
251337	aerial cable on drawbar, 10 m length	•	•	•	•
251334	antenna package (Kathrein) SAT BAS 60 with joint mast for one TV connection (without receiver)	•	•	•	•
251339	aerial mast (joint) for SAT antenna	•	•	•	•
251340	aerial mast (tele) 1200 mm, Shapeg	•	•	•	•
251335	antenna package (Kathrein) SAT BAS 60 as complete set CAP 600	•	•	•	•
251429	antenna package SAT 910 - as complete set (width 2,5 only)	•	•	•	•
251321	ceiling lamp with Tabbert emblem	•	•	-	-
251499	additional ceiling lamp with 4 spots	•	•	•	•
251741	HDMI port (one port) - improved image quality for HDMI TV sets	•	•	•	•
251742	HDMI port (two ports) - improved image quality for HDMI TV sets	•	•	•	•
551702	6 additional ceiling spots, LED technology, in the roof of the sleeping room	•	•	•	-
251358	radio pre-cabling including 2 loudspeakers and antenna	•	•	•	•
251359	radio pre-cabling including 4 loudspeakers and antenna	•	•	•	•
551327	Smoke detector	•	•	•	•
551415	swivel arm for flat screen with 230 V and TV connection (depending on the layout)	•	•	•	•
251360	sound system with subwoofer, CD/DVD radio and 4 speakers	•	-	-	-
251362	Underbody illumination	•	•	-	-
	kitchen area				
401394	102 l refrigerator - only for DV 450 TD & Vi 450 TD	-	-	•	•
401307	189 l refrigerator (depending on the model, on request)	•	•	•	•
401354	Extractor hood	•	•	•	-
401349	gas oven with grill, 20 l (combination with microwave not possible)	•	•	•	•
400573	refrigerator ventilator with switch	•	•	•	•
401401	800 W, contents 19 l; can not be combined with oven	•	•	•	•
	sanitary area				
451743	Outdoor shower (outdoor water connection) - depending on layout	•	•	•	•
451441	Showering device with fittings, no 230-V-socket outlet in TR	-	•	•	•
451442	Comfort shower (3-segment folding door instead of curtain in the front bath) - depending on the model	-	•	•	-
	gas, heating, water				
450092	Waste water system not fixed (waste water tank on wheels, syphon) (waste water tank on wheels, syphon)	•	•	•	•
351386	Alde warm water heating - no service flap (depending on layout) (depending on layout, on request)	•	•	•	•

item code		<ul style="list-style-type: none"> • = Option - = not possible S = standard 			
		Paganini	Puccini	Vivaldi	DaVinci
451443	city water connection – via 45-litres-tank (external filling)	•	•	•	•
451444	city water connection – via 70-litres-tank (external filling) not available in combination with 3rd bunk bed	-	-	-	•
301057	Teleindication + Ice-Ex for DuoComfort or DuoControl	•	•	•	•
351388	floor heating (electric 26 V) for all models up to 585	•	•	•	•
351389	floor heating (electric 26 V) for all models from 620	•	•	•	•
301385	gas socket outlet, front right side	•	•	•	•
351387	heating with ultra-heat (Truma electric heating) - not available in combination with ALDE warm water heating	•	•	•	•
301056	Truma DuoControl	•	•	•	•
301047	Truma SecuMotion (enables operation with gas during the ride, teleindication not possible)	•	•	•	•
301048	Truma SecuMotion with DuoComfort (enables operation during the ride)	•	•	•	•
351390	Truma "Open fire" front case, only Truma S 5002	•	•	•	•
451481	Warm water plant with storage over Truma Boiler BN 10 (gas/electric)	•	•	•	•
451751	Warm water plant Truma storage 14 L (electric) - only for PU 655 D, 685 DF	-	•	•	-
451445	Water connection fixed with pressure valve (without 45-litres-tank)	•	•	•	•
	conditioning				
551391	Dometic B2500 (in some models Heki 2 has to be cancelled)	•	•	•	•
551393	Preparation for air conditioning installation for air condition B 2500 (for smaller models no Heki 2, depending on layout)	-	-	-	•
551392	Truma Saphir Compact – located in the seat group	•	•	•	-

WEIGHT INCREASES 2012-2

Item code	cat.	type	laden mass (in kg)	weight increase up to (in kg)
151453	1	PUCCINI 590 TD	1.900	2.000*
151451	3	DA VINCI 450 TD 2,3 VIVALDI 450 TD DA VINCI 540 DM 2,3 + 2,5; DA VINCI 585 2,5 / PUCCINI 495 HE, 495 HTD / VIVALDI 495 HE, 495 HTD	1.300 1.500 1.600	1.400/1.500** 1.600**
151452	4	VIVALDI 450 TD DA VINCI 540 DM 2,5; 585 DM 2,5 / PUCCINI 495 HE, 495 HTD / VIVALDI 495 HE, 495 HTD PUCCINI 550 E, 560 E, 560 HTD, 560 TD, 560 UEB / VIVALDI 550 E, 560 E, 560 HTD, 560 TD, 560 TDL PUCCINI 570 TD	1.500 1.600 1.700 1.900	1.700** 1.800** 1.800/1.900*** 2.500**
		PUCCINI 655 D, 655 TD, 685 DF / VIVALDI 640 MD, 655 D, 690 MD DA VINCI 700 KD 2,5 / PAGANINI 655 DF 2,5; 655 MDW 2,5	2.000 2.200	2.500** 2.500*

* possible up to four weeks before production

** possible up to three months before production

*** In case of MTPLM upgrade to 1900 kg alloy wheels must be fitted due to the load bearing capacity

item code	
150080	<p>Tabbert Premium package - single-axle models only possible for model ranges Tabbert Puccini and Tabbert Vivaldi starting from 1900 kg only in combination with option 151840 spare wheel with alloy rim instead of steel rim!</p> <ul style="list-style-type: none"> Flyscreen door 1/1 Drawbar cover Gas bottle locker bottom made of alu checker plate Tabbert spare wheel (steel rim) Belt line strip, single - silver (chrome) Light-alloy rims with tyres, silver, starting from 1,501 kg
150081	<p>Tabbert Premium package - twin-axle models only possible for model ranges Tabbert Puccini and Tabbert Vivaldi</p> <ul style="list-style-type: none"> Flyscreen door 1/1 Drawbar cover Gas bottle locker bottom made of alu checker plate Tabbert spare wheel (steel rim) Belt line strip, single - silver (chrome) Light-alloy rims with tyres, silver, starting from 2,001 kg
150006	<p>Autark package Da Vinci, Vivaldi, Puccini, Paganini</p> <ul style="list-style-type: none"> waste water tank on wheels with a capacity of 25 l Hot-water supply system Truma BN 10- 10l boiler with E-rod Solar controller toiletroom with shower fittings and curtain (no 230-V-socket outlet), electronic 10 A charger with integrated Booster voltage lifter for optimal charging while driving integrated battery alerter connection for battery temperature sensor, 80 AH gel battery, suitable for solar technology (equivalent to 100 AH lead-acid battery), battery capacity indicator via board control, coupling possible to basic module
150005	<p>12-V-supply package Da Vinci, Vivaldi, Puccini, Paganini</p> <ul style="list-style-type: none"> electronic 10 A charger with integrated Booster voltage lifter for optimal charging while driving battery monitor connection for battery temperature sensor, 80 AH gel battery, suitable for solar technology (equivalent to 100 AH lead-acid battery), indicator through board control, can be coupled to the basic module

item code	
150012	<p>Comfort plus package Da Vinci, Vivaldi, Puccini, Paganini</p> <ul style="list-style-type: none"> AlKo Big Foot heavy load supports Awning lamp with motion detector (responds at a distance of 2.5 m) Cold-foam mattress with Tabbert bed system Fresh water level indicator <p>Info: Comfort Plus package not available for Paganini 655 MDW</p>
150013	<p>DaVinci 700 KD (without Tabbert bed system, only with cold-foam mattress)</p>
150090	<p>Deko package Da Vinci / Vivaldi / Puccini / Paganini</p> <ul style="list-style-type: none"> 2 cushions 40 x 40 cm, 1 tablecloth 40 cm x 150 cm
150030	<p>F.A.C.E Silverline package – just available for PAGANINI outer paint silver, flush all- around window system</p>
150060	<p>Kitchen package - just available for PAGANINI</p> <ul style="list-style-type: none"> sink cover in solid surface dishrack in solid surface holder in the wardrobe High - gloss kitchen back board
150070	<p>Gourmet package kitchen Puccini (depending on vehicle layout)</p> <ul style="list-style-type: none"> 3-burner Spinflo cooker in home kitchen standard Sink with top-mounted mixing tap matching the Spinflo cooker sink cover and dishrack High - gloss kitchen back board

EXPLANATIONS ON THE WEIGHT DATA FOR YOUR TABBERT CARAVAN:

The law now requires that the weight data of a caravan must state the "mass in running order" and the "maximum technically permissible laden mass" (DIN EN 1645-2):

The "mass in running order" is defined as:

Mass of the unladen vehicle

+ liquid gas bottles (100% full)

+ fresh water tank (100% full)

mass in running order

The "maximum technically permissible laden mass" defines the maximum permissible mass of the vehicle (vehicle incl. optional equipment / accessories / packages, and gas, water, luggage, load, etc.) for driving.

For you as a caravan user the important value of the maximum user payload (for luggage, load, gas, water, etc.) is calculated from the difference between "maximum technically permissible laden mass" and "mass of the unladen vehicle":

Example:

Mass of the unladen vehicle	1,090 kg	
Maximum technically permissible laden mass	1,400 kg	
<hr/>		
Maximum user payload	310 kg	(luggage, load, gas, water, etc.)

The mass of the unladen vehicle is determined by weighing a vehicle with standard equipment (without optional equipment, accessories or equipment packages). Please observe that optional equipment, accessories and packages have an influence on the mass of the unladen vehicle and can therefore lead to a reduction of the maximum user payload of a caravan. It is your duty as the user of a caravan to make sure that you will not exceed the maximum technically permissible laden mass while driving.

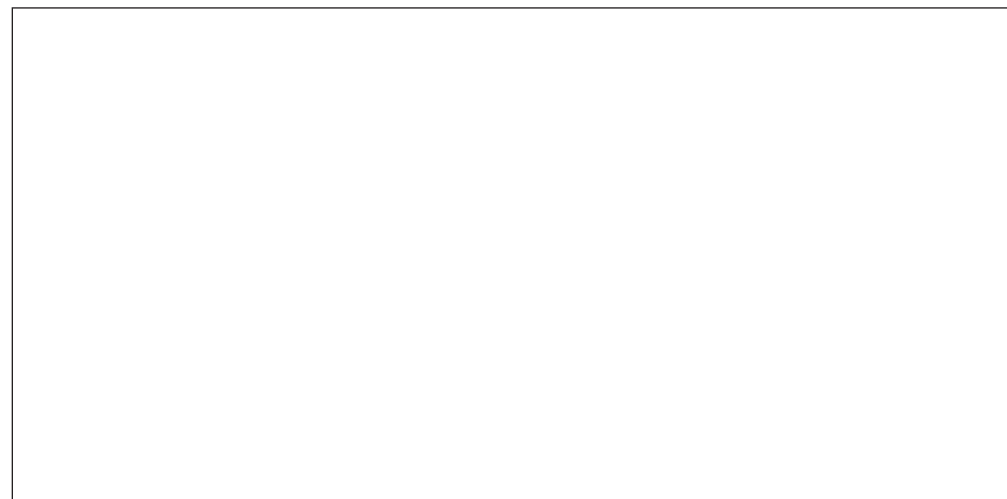
Information

Errors excepted. All data are subject to change without notice. There may have been product changes after the editorial deadline (12/2011) of this price list.

The mass in running order and the maximum user payload are subject to EC directives 97/27 and EN-1645-2: ± 5% possible deviation. Optional equipment increases the mass in running order.

The mattress dimensions may slightly differ from the stated bed dimensions. For details on refrigerator capacities please refer to manufacturer information.

For organisational reasons it is not possible for customers to collect vehicles at our plant. With the publishing of this price information all former price lists become void.

YOUR TABBERT-DEALER**TABBERT***M o v i n g M o m e n t s*

KNAUS TABBERT GmbH
Helmut-Knaus-Straße 1
D-94118 Jandelsbrunn

Telefon: +49 (0) 85 83 / 21 - 1
Telefax: +49 (0) 85 83 / 21 - 380

E-Mail: tabbert@tabbert.de
Internet: www.tabbert.de