



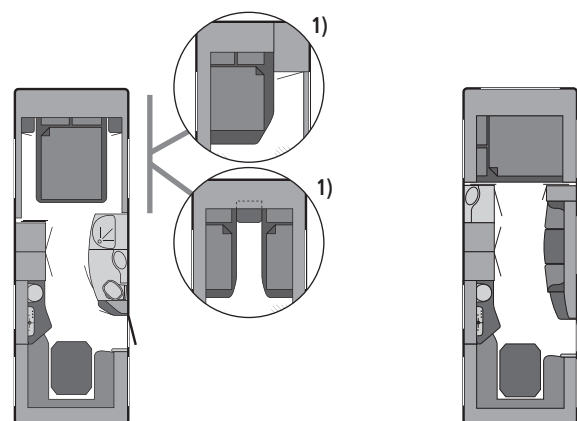
2010 GREAT BRITAIN  
2011

**TABBERT**

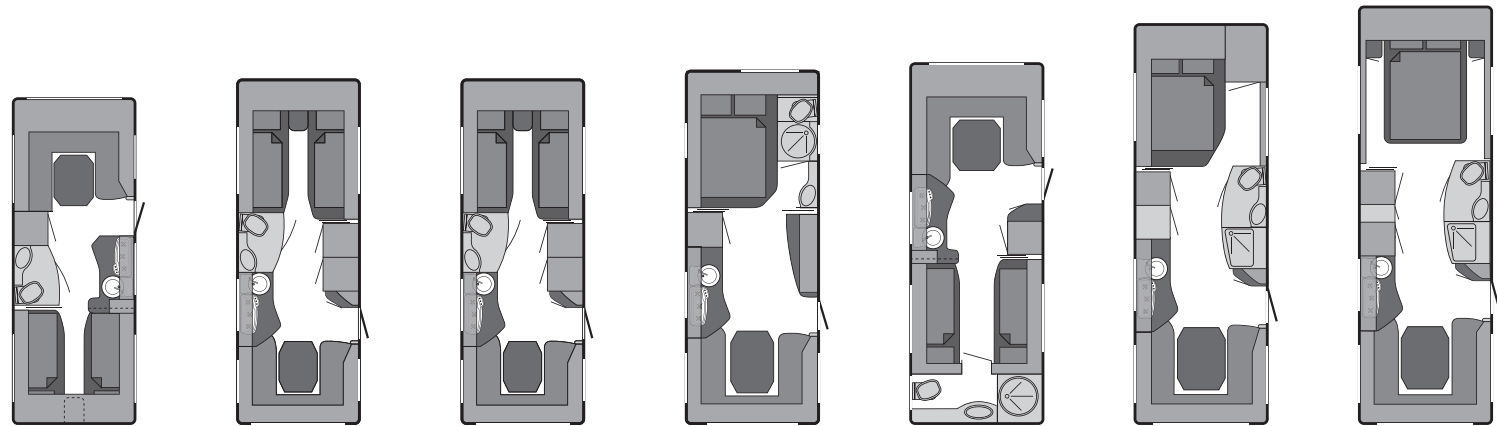
*M o v i n g M o m e n t s*

TECHNICAL DATA 2010/2011

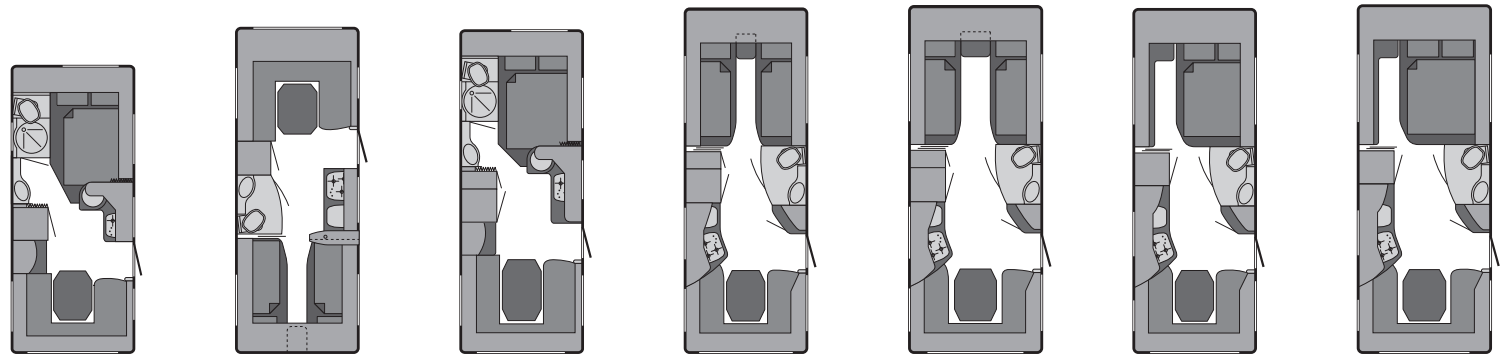
TRADITION. DEMAND. QUALITY.



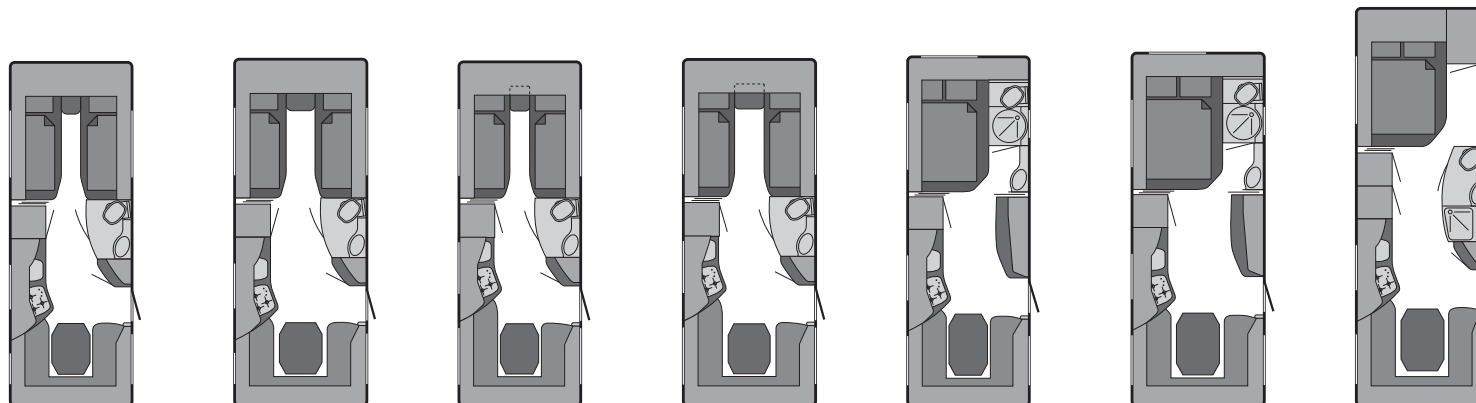
technical data/equipment details	Paganini 655 DF <sup>1)</sup>	Paganini 655 MDW
length including drawbar, approx. in cm ▶	875	875
total length including gas bottle box, approx. in cm ▶	775	775
total length without gas bottle box, approx. in cm ▶	660	660
vehicle body width, approx. in cm ▶	250	250
total height, approx. in cm ▶	265	265
mass of the unladen vehicle, approx. in kg ▶	1890*	1890*
mass in running order (MIRO), approx. in kg ▶	1960*	1960*
maximum technically permissible laden mass in kg ▶	2200*	2200*
maximum user payload, approx. in kg ▶	310*	310*
tyre size ▶	205/65 R15 rf Li 99 (775)	205/65 R15 rf Li 99 (775)
awning dimensions, approx. in cm ▶	1080	1080
bed dimensions front, approx. in cm ▶	194 x 148	155 x 224
bed dimensions middle, approx. in cm ▶	-	186 x 63
bed dimensions rear, approx. in cm ▶	217 x 171/147	217 x 161/157
number of sleeping berths ▶	4	5
number of sky lights ▶	2 + Heki 2	2 + Heki 2
number of lamps 12 V/230 V ▶	25 / -	20 / -
number of socket outlets 230 V ▶	7	8
refrigerator type/l ▶	RM 8500 / 100 (Dometic)	RM 8500 / 100 (Dometic)
heating Truma-type ▶	S 5002 (Truma)	S 5002 (Truma)



technical data/equipment details	Puccini 495 HE	Puccini 550 E 2,3	Puccini 550 E 2,5	Puccini 560 TD 2,5	Puccini 560 UEB	Puccini 655 D	Puccini 685 DF
length including drawbar, approx. in cm ▶	725	761	761	783	783	853	883
total length including gas bottle box, approx. in cm ▶	607	643	643	665	665	735	765
total length without gas bottle box, approx. in cm ▶	532	568	568	590	590	660	690
vehicle body width, approx. in cm ▶	230	230	250	250	250	250	250
total height, approx. in cm ▶	265	265	265	265	265	265	265
mass of the unladen vehicle, approx. in kg ▶	1320*	1410*	1430*	1480*	1480*	1625*	1650*
mass in running order (MIRO), approx. in kg ▶	1390*	1480*	1500*	1550*	1550*	1695*	1720*
maximum technically permissible laden mass in kg ▶	1600*	1700*	1700*	1700*	1700*	1900*	1900*
maximum user payload, approx. in kg ▶	280*	290*	270*	220*	220*	275*	250*
tyre size ▶	205/70 R15C Li 106 (950)	205/70 R15C Li 106 (950)	205/70 R15C Li 106 (950)	205/70 R15C Li 106 (950)	205/70 R15C Li 106 (950)	185/65 R15 Li 88 (560)	185/65 R15 Li 88 (560)
awning dimensions, approx. in cm ▶	990	1030	1030	1052	1052	1120	1150
bed dimensions front, approx. in cm ▶	207x149/121	200x85/188x85	200x85/188x85	200 x 155	225x147/126	200 x 155	194 x 148
bed dimensions middle, approx. in cm ▶	-	-	-	-	-	-	-
bed dimensions rear, approx. in cm ▶	2 x 200 x 85	207 x 130/126	225 x 130/126	225 x 148/154	2 x 200 x 85	225 x 158/164	225 x 158/174
number of sleeping berths ▶	4	4	4	4	4	4	4
number of sky lights ▶	2 + Heki 2	2 + Heki 2	2 + Heki 2	1 + Heki 2	1 + Heki 2	2 + Heki 2	2 + Heki 2
number of lamps 12 V/230 V ▶	12 / 0	18 / 0	18 / 0	16 / 0	16 / 0	20 / 0	19 / 0
number of socket outlets 230 V ▶	6	7	7	7	7	7	7
refrigerator type/l ▶	RMS 8500/90 (Dometic)	RM 8500/100 (Dometic)	RM 8500/100 (Dometic)	RM 8500/100 (Dometic)	RM 8500/100 (Dometic)	RM 8500/100 (Dometic)	RM 8500/100 (Dometic)
heating Truma-type ▶	S 3002	S 5002	S 5002	S 5002	S 5002	S 5002	S 5002

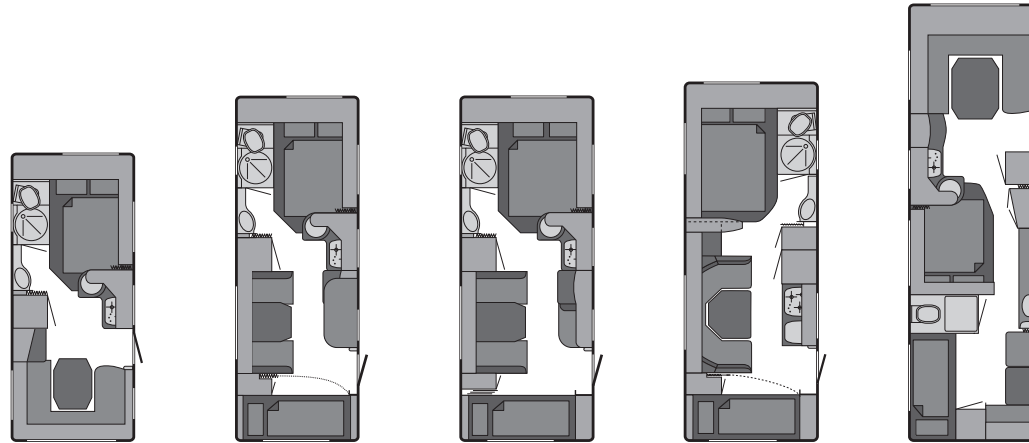


technical data/equipment details	Vivaldi 450 TD	Vivaldi 495 HE	Vivaldi 525 TD	Vivaldi 540 E 2,3	Vivaldi 540 E 2,5	Vivaldi 550 DV 2,3	Vivaldi 550 DV 2,5
length including drawbar, approx. in cm ▶	662	727	727	765	765	765	765
total length including gas bottle box, approx. in cm ▶	538	603	603	641	641	641	641
total length without gas bottle box, approx. in cm ▶	465	530	530	568	568	568	568
vehicle body width, approx. in cm ▶	230	230	230	230	250	230	250
total height, approx. in cm ▶	262	262	262	262	262	262	262
mass of the unladen vehicle, approx. in kg ▶	1085*	1195*	1185*	1295*	1315*	1305*	1325*
mass in running order (MIRO), approx. in kg ▶	1155*	1265*	1255*	1365*	1385*	1375*	1395*
maximum technically permissible laden mass in kg ▶	1300*	1500*	1500*	1600*	1600*	1600*	1600*
maximum user payload, approx. in kg ▶	215*	305*	315*	305*	285*	295*	275*
tyre size ▶	205/65 R 15 rf Li 99 (775)	205/65 R 15 rf Li 99 (775)	205/65 R 15 rf Li 99 (775)	205/70 R15C Li 106 (950)	205/70 R15C Li 106 (950)	205/70 R15C Li 106 (950)	205/70 R15C Li 106 (950)
awning dimensions, approx. in cm ▶	915	984	984	1023	1023	1023	1023
bed dimensions front, approx. in cm ▶	195 x 145	206 x 151/123	195 x 145	2 x 195 x 85	2 x 195 x 85	195 x 135	195 x 155
bed dimensions middle, approx. in cm ▶	-	-	-	-	-	-	-
bed dimensions rear, approx. in cm ▶	206 x 136/121	2 x 195 x 85	206 x 169/153	206 x 112/136	224 x 112/136	206 x 112/136	224 x 112/136
number of sleeping berths ▶	4	4	4	4	4	4	4
number of sky lights ▶	1 + Heki 2	2+ Heki 2	1 + Heki 2	2+ Heki 2	2+ Heki 2	2+ Heki 2	2+ Heki 2
number of lamps 12 V/230 V ▶	15 / 1	11 / 1	16 / 1	15 / 1	15 / 1	15 / 1	15 / 1
number of socket outlets 230 V ▶	5	5	5	5	5	6	6
refrigerator type/l ▶	RM 7290/ 86 (Dometic)	RM 7290/ 86 (Dometic)	RM 7290/ 86 (Dometic)	RM 7400/97 (Dometic)	RM 7400/97 (Dometic)	RM 7400/97 (Dometic)	RM 7400/97 (Dometic)
heating Truma-type ▶	S 3002	S 3002	S 3002	S 5002	S 5002	S 5002	S 5002



technical data/equipment details	Vivaldi 550 E 2,3	Vivaldi 550 E 2,5	Vivaldi 560 E 2,3	Vivaldi 560 E 2,5	Vivaldi 560 TD 2,3	Vivaldi 560 TD 2,5	Vivaldi 655 D
length including drawbar, approx. in cm ▶	765	765	765	765	782	782	857
total length including gas bottle box, approx. in cm ▶	641	641	641	641	658	658	734
total length without gas bottle box, approx. in cm ▶	568	568	568	568	585	585	661
vehicle body width, approx. in cm ▶	230	250	230	250	230	250	250
total height, approx. in cm ▶	262	262	262	262	262	262	262
mass of the unladen vehicle, approx. in kg ▶	1290*	1310*	1290*	1310*	1335*	1355*	1520*
mass in running order (MIRO), approx. in kg ▶	1360*	1380*	1360*	1380*	1405*	1425*	1590*
maximum technically permissible laden mass in kg ▶	1600*	1600*	1600*	1600*	1600*	1600*	1900*
maximum user payload, approx. in kg ▶	310*	290*	310*	290*	265*	245*	380*
tyre size ▶	205/70 R15C Li 106 (950)	205/70 R15C Li 106 (950)	205/70 R15C Li 106 (950)	205/70 R15C Li 106 (950)	205/70 R15C Li 106 (950)	205/70 R15C Li 106 (950)	185/65 R15 Li88 (560)
awning dimensions, approx. in cm ▶	1023	1023	1023	1023	1040	1040	1115
bed dimensions front, approx. in cm ▶	2 x 195 x 85	2 x 195 x 85	2 x 195 x 85	2 x 195 x 85	195 x 135	195 x 155	195 x 155
bed dimensions middle, approx. in cm ▶	-	-	-	-	-	-	-
bed dimensions rear, approx. in cm ▶	206 x 112/136	224 x 112/136	206 x 144/136	224 x 144/136	206 x 131/153	224 x 131/153	224 x 144/164
number of sleeping berths ▶	4	4	4	4	4	4	4
number of sky lights ▶	2+ Heki 2	2+ Heki 2	2+ Heki 2	2+ Heki 2	1 + Heki 2	1 + Heki 2	2+ Heki 2
number of lamps 12 V/230 V ▶	15 / 1	15 / 1	15 / 1	15 / 1	14 / 1	14 / 1	14 / 1
number of socket outlets 230 V ▶	6	6	5	5	7	7	6
refrigerator type/l ▶	RM 7400/97 (Dometic)	RM 7400/97 (Dometic)	RM 7400/97 (Dometic)	RM 7400/97 (Dometic)	RM 7400/97 (Dometic)	RM 7400/97 (Dometic)	RM 7400/97 (Dometic)
heating Truma-type ▶	S 5002	S 5002	S 5002	S 5002	S 5002	S 5002	S 5002

\* For explanations on the weight data for your Tabbert caravan please refer to page 11.



technical data/equipment details	Da Vinci 450 TD	Da Vinci 540 DM 2,3	Da Vinci 540 DM 2,5	Da Vinci 585 DM	Da Vinci 700 KD
length including drawbar, approx. in cm ▶	662	765	765	782	936
total length including gas bottle box, approx. in cm ▶	538	641	641	658	813
total length without gas bottle box, approx. in cm ▶	465	568	568	585	740
vehicle body width, approx. in cm ▶	230	230	250	250	250
total height, approx. in cm ▶	262	262	262	262	262
mass of the unladen vehicle, approx. in kg ▶	1075*	1255*	1320*	1400*	1785*
mass in running order (MIRO), approx. in kg ▶	1145*	1325*	1390*	1470*	1855*
maximum technically permissible laden mass in kg ▶	1300*	1600*	1600*	1600*	2200*
maximum user payload, approx. in kg ▶	225*	345*	280*	200*	415*
tyre size ▶	205/65 R15 Li99 (775)	205/70 R15C Li106 (950)	205/70 R15C Li106 (950)	205/70 R15C Li106 (950)	205/65 rf 15 Li99 (775)
awning dimensions, approx. in cm ▶	915	1023	1023	1040	1194
bed dimensions front, approx. in cm ▶	195 x 145	195 x 145	195 x 163	195 x 155	224 x 153/146
bed dimensions middle, approx. in cm ▶		181 x 98	181 x 116	204 x 116	195 x 143
bed dimensions rear, approx. in cm ▶	206 x 136/121	189 x 71 / 189 x 64	189 x 71 / 189 x 64	189 x 71 / 189 x 64	3 x 183 x 68
number of sleeping berths ▶	4	5	5	5	7
number of sky lights ▶	1 + Heki 2	1 + Heki 2	1 + Heki 2	1 + Heki 2	3 + Heki 2
number of lamps 12 V/230 V ▶	17 / 0	21 / 0	21 / 0	19 / 0	23 / 0
number of socket outlets 230 V ▶	5	6	6	5	8
refrigerator type/l ▶	RM 8500 / 90 (Dometic)	RM 8500 / 90 (Dometic)	RM 8500 / 90 (Dometic)	RM 8500 / 90 (Dometic)	RM 8550 / 179 (Dometic)
heating Truma-type ▶	S 3002	S 5002	S 5002	S 5002	S 5002

- = Option
- = not possible
- S = standard

	Paganini	Puccini	Vivaldi	DaVinci
<b>1. CHASSIS</b>				
• Alloy wheels in silver	•	•	•	•
• Alloy wheels painted in black	S	•	•	•
• Wide-track safety chassis with axle shock absorbers	S	S	S	S
• Drawbar cover	S	•	•	•
• Smooth running chassis	S	S	S	S
• Low-profile tyres	S	S	S	S
• Stabiliser safety coupling (AKS) 2004 with softdock	S	S	S	S
<b>2. BODY</b>				
• Illuminated entrance step with Tabbert lettering (integrated and insulated)	S	S	S	S
• Polyplastic hinged double windows, tinted for sun screening	-	-	S	S
• Seitz S6 hinged double windows (for Paganini not in combination with F.A.C.E package => here Polyvision windows)	S	S	-	-
• Plain sheet metal	•	S	-	-
• Belt line strip - standard	•	S	S	S
• Belt line strip - silver chromium	•	•	•	•
• Belt line strip - silver chromium, double	-	-	-	-
• Lift-tilt rooflight, version 2 (HEKI 2)	S	S	S	S
• Midi Heki	-	-	-	-
• Entrance door with window, waste bin, and tray area	-	S	S	S
• Integrated aluminium gas bottle locker bottom with spare wheel holder	S	•	•	•
• Combination blinds and flyscreens	S	S	S	S
• Comfortable hand grips	S	S	S	S
• Comfort door with safety concept	S	S	S	S
• Mini hammer finish	S	-	S	S
• Mini-Heki, with forced ventilation	S	S	S	S
• Service hatch in the side wall (depending on the layout)	S	S	S	S
• Safety rear lights with LEDs incl. direction indicators	-	S	-	-
• Safety rear lights with round single lights (except Paganini)	-	-	S	S
• Tabbert premium roof with integrated air-conditioning channels for optimal cold air distribution	S	-	-	-
• Tabbert premium roof	S	-	-	-
• Tabbert roof	-	-	S	S
• Tabbert comfort roof	-	S	-	-
• Tabbert light control system (with individual lighting scenes: Coming Home, Dining Light, and TV Light)	S	S	S	S
• 12 V awning lamp above the entrance door	S	S	S	S
<b>3. LIVING ROOM</b>				
• 2 m beds (depending on the layout)	S	S	-	-
• Exclusive upholstery designs (see options for upholstery selection)	S	S	S	S

- = Option
- = not possible
- S = standard

	Paganini	Puccini	Vivaldi	DaVinci
• Ventilated seat stowage boxes, and rear-ventilation of the top cabinets into the roof (in the front and in the rear)	S	S	S	S
• Hinged bed base with mattress holder (spring mattress)	S	S	S	S
• Ceiling panels (Puccini illuminated with LEDs)	-	S	S	S
• Ceiling panels covered with Alcantessa all around and illuminated with LEDs	S	-	-	-
• Dimmable 20 W bulbs	S	S	S	S
• Top cabinet doors in real wood veneer (Paganini with gas pressure springs)	S	S	-	-
• Real wood frame doors	-	-	S	-
• Corner shelves	S	S	S	-
• Extra-high backrests for optimal seating comfort	-	S	-	-
• High-quality surfaces	S	S	S	S
• High-quality hinges and exclusive SafetyLocks (Da Vinci: in the kitchen)	S	S	S	S
• Indirect LED light strip under the tray	-	S	-	S
• PVC floor covering	S	S	S	S
• Stowage flap in the seat box front part (not possible for all models)	S	S	S	S
• Headroom 195 cm	S	S	S	S
<b>4. KITCHEN AND BATH</b>				
• 655 DF exclusive shower with illuminated ceiling	S	-	-	-
• Dometic toilet with ceramic coating	S	S	-	-
• Solid-surface worktop in kitchen and bath	S	-	-	-
• Thetford cassette toilet	-	-	S	S
<b>5. ELECTRIC SYSTEM</b>				
• 13-pole connector plug, "Jäger" system (DIN 72570)	S	S	S	S
• Flicker-free 20 W bulbs (long service life, no brightness fluctuations)	S	S	S	S
• Optimised power supply (constant brightness also in case of changing illumination, no flickering, no voltage fluctuations, automatic charging control for mains, driving, and solar operation, silent operation)	S	S	S	S
• SAT antenna cable, laid and TV preparation	S	S	S	S
• Converter / switching power supply 350 VA	S	S	S	S
<b>6 GAS / WATER</b>				
• Gas pipe (Ø 10 mm) from gas bottle to distributor block	S	S	S	S
• Truma SL5002 heating, two fan motors and heating circuits, heating fan (12 V) with automatic speed control (as from body length 540)	S	S	S	S
• "Open fire" front case for Truma SL 5002	•	•	•	•
• Truma Combi S6 heating	-	-	-	-
• Warm air system with automatic speed control 12 V	S	S	S	S
• Hot water supply (in kitchen and toilet, with Truma Therme)	S	S	S	S
• 45 l fresh water tank, built-in	S	S	S	S

item code		<ul style="list-style-type: none"> <li>• = Option</li> <li>- = not possible</li> <li>Serie = standard</li> </ul>			
		DaVinci	Vivaldi	Puccini	Paganini
	<b>Chassis</b>				
150840	ALKO Big Foot	•	•	•	•
150266	ALKO-Safety Compact 2004	•	•	•	•
151365	AL-KO jack kit (contains holding box, mounting parts, bolts), comes in a practical transport box	•	•	•	•
151366	ALKO-Trailer-Control	•	•	•	•
101353	Drawbar cover	•	•	•	Serie
151369	total weight up to and including 1,500 kg spare wheel 205/65 R 15 RF with steel rim silver 5 ½ J x 15 H2	•	•	-	-
151370	total weight 1,501 kg – 1,800 kg spare wheel 205/70 R 15 C with steel rim silver 5 ½ J x 15 H2	•	•	•	-
151371	from model 620 on, total weight up to and including 2,000 kg spare wheel 185/65 R 15 with steel rim silver 5 ½ J x 15 H2	-	-	•	-
151372	from model 620 on, total weight up to and including 2,500 kg spare wheel 205/65 R 15 with steel rim silver 5 ½ J x 15 H2	-	-	•	-
	<b>Wheel locks and alloy wheels</b>				
151373	wheel lock for single-axle (2 bolts) with alloy wheels	•	•	•	•
151374	wheel lock for twin-axle (4 bolts) with alloy wheels	•	•	•	•
151678	Hydraulic corner steadies - prerequisite for installation: combination with autarkic or 12 Volt package	-	-	•	•
151375	tyres with alloy wheels	•	•	•	-
151376	tyres with alloy wheels, silver as from 1,501 kg	•	•	•	-
151379	tyres with alloy wheels, silver up to 2,000 kg	•	•	•	-
151380	tyres with alloy wheels, silver as from 2,001 kg	•	•	•	-
151378	tyres with alloy wheels, glossy black as from 2,001 kg	•	•	•	Serie
151381	tyres with alloy wheels, glossy black up to 2000 kg	•	•	•	Serie
151382	tyres with alloy wheels, glossy black as from 2001 kg	•	•	•	Serie
	<b>roof, windows, bottle case, doors, vents</b>				
101342	rear window (depending on layout)	•	•	-	-
101343	front window 1,700 x 700, grey/silver (toiletroom window not available)	-	-	•	-
101422	front window instead of dummy disc (depending on layout)	-	-	-	•
101351	Mini-Heki instead of Heki 2	•	•	•	•
101352	Roof strengthening for Kathrein automatic antenna	•	•	•	•
101383	made of alu checker plate	•	•	•	Serie
100887	glas fiber reinforced plastic roof (white)	-	-	•	•
100170	Heki 2	Serie	Serie	Serie	Serie
100750	Midi Heki 700x 500 ( depending on layout )	•	•	•	•
101330	Midi Heki additional ( depending on layout)	•	•	•	-
101331	Midi Heki instead of Heki II	•	•	•	-
101402	mosquito protection door 1/1	•	•	•	•
101403	mosquito blinds 1/2	•	•	•	•

item code		<ul style="list-style-type: none"> <li>• = Option</li> <li>- = not possible</li> <li>Serie = standard</li> </ul>			
		DaVinci	Vivaldi	Puccini	Paganini
100099	omnivent roof ventilator	•	•	•	-
100612	service flap 1,000 x 305 mm, white (depending on layout)	•	•	•	•
100612	service flap 1,000 x 305 mm, white (depending on layout) (Attention: Service flap in the seat group not in combination with Saphir air-conditioning system)	•	•	•	•
100612	service flap 1,000 x 305 mm, white (depending on layout)	•	-	-	-
101341	toiletroom window 500 x 520 (depending on layout)	•	•	-	-
	<b>Strips</b>				
101397	strips above front and/or rear window	•	•	-	-
101398	strips at the side of and above front and/or rear window	-	-	•	-
101399	double belt line strips	•	•	-	-
101400	double belt line strips – silver	•	•	•	•
101617	belt line strips, simple – silver	•	•	•	•
	<b>Furniture modifications</b>				
551404	3rd bunk bed	•	-	-	-
551345	total width 2,3 m	•	•	•	•
551346	total width 2,5 m	•	•	•	•
551347	for all modells from 655	•	•	•	•
551723	Sideboard/glass cabinet instead of shower (PU 685 DF only)	-	-	•	-
551425	wardrobe instead of shower (PA 655 DF, PU 655 DF, PU 685 DF only)	-	-	•	•
551426	3rd wardrobe instead of washroom PA 655 MDW	-	-	-	•
551427	glass cabinet ( half size) instead of small wardrobe PA 655 MDW	-	-	-	•
401407	kitchen top cherry tree	-	-	•	-
551408	roll bed – for single-bed caravans	•	•	•	•
551423	bedroom with double bed on one side PA 655 DF	-	-	-	•
551424	Bed room with single bed PA 655 DF	-	-	-	•
551428	Couch (extendable) instead of centre seating group (PA 655 MDW)	-	-	-	•
551411	table top size differing from standard	•	•	•	•
551412	sliding table fitting	•	•	•	•
551413	telescopic table foot	•	-	•	•
551699	Table with support - additional support for converting the seating group for sleeping	•	•	•	•
550342	Wooden sliding door - Da Vinci - depending on the layout (in Vivaldi - standard for layouts without L-shaped kitchen)	•	Serie	Serie	Serie
551703	Kitchen top cabinets in real wood veneer - fine cherry instead of champagne	-	-	•	-
	<b>Cushions ( Standard)</b>				
550921	Castello, Palazzo, Azzurro (series on Da Vinci)	Serie	•	•	•
550921	Aqua, Crema, Veneziana (series on Vivaldi)	•	Serie	•	•

• = Option  
- = not possible  
Serie = standard

item code		Da Vinci	Vivaldi	Puccini	Paganini
550921	Aida, Contina, Scala (series on Puccini)	•	•	Serie	•
550921	Avantgarde, Noblesse, Elegance (series on Paganini)	•	•	•	Serie
551416	genuine leather: Prestige (option)	-	-	•	•
	<b>Electrical equipment</b>				
250940	12-V-socket outlet, additionally on the inside	•	•	•	•
250073	230-V-socket outlet for outside power supply, incl. antenna connection incl. antenna connection	•	•	•	•
250072	230-V-socket outlet, additionally on the inside	•	•	•	•
251336	on drawbar, 5 m length	•	•	•	•
251337	on drawbar, 10 m length	•	•	•	•
251334	(Kathrein) SAT BAS 60 with joint mast for one TV connection (without receiver)	•	•	•	•
251339	(joint) for SAT antenna	•	•	•	•
251340	(tele) 1200 mm, Shapeg	•	•	•	•
251335	(Kathrein) SAT BAS 60 as complete set CAP 600	•	•	•	•
251429	SAT 900 -as complete set	•	•	•	•
251321	ceiling lamp with Tabbert emblem	-	-	•	•
251499	additional ceiling lamp with 4 spots	•	•	•	•
551702	6 additional ceiling spots, LED technology, in the roof of the sleeping room, only PUCCINI	-	-	•	-
251358	radio pre-cabling including 2 loudspeakers and antenna	•	•	•	•
251359	radio pre-cabling including 4 loudspeakers and antenna	•	•	•	•
551327	Smoke detector	•	•	•	•
251338	SCART pack with 230-V-socket outlet and AV-connection	•	•	•	•
551415	swivel arm for flat screen with 230 V and TV connection (depending on the layout)	•	•	•	•
251360	sound system with subwoofer, CD/DVD radio and 4 speakers	-	-	-	•
251362	Underbody illumination	-	-	•	•
	<b>kitchen and sanitary area</b>				
401394	97 l refrigerator	•	•	-	-
401395	150 l refrigerator – during the ride the refrigerator can only be operated with gas in combination with SecuMotion (depending on the model, on request)	•	•	-	-
401307	189 l refrigerator - during the ride the refrigerator can only be operated with gas in combination with SecuMotion (depending on the model, on request)	-	-	•	•
401354	Extractor hood	-	-	•	•
451441	with fittings, no 230-V-socket outlet in TR	•	•	•	-
401349	gas oven with grill, 20 l (combination with microwave not possible)	•	•	•	•

• = Option  
- = not possible  
Serie = standard

item code.		Da Vinci	Vivaldi	Puccini	Paganini
450078	cassette toilet incl. service flap; if omitted reduced price (also for Dometic CT 3110)	•	•	•	•
451442	Comfort shower (3-segment folding door instead of curtain in the front bath) only for VI 525 TD, 560 TD & PU 560 TD (serial equipment on PU 560 UEB, 655 D, 685 DF)	-	•	•	-
401652	The kitchen organisation system comprises: additional waste bin, anti-slip mat, and rail system for internal organisation of the drawer (not possible in combination with microwave or oven) - depending on the layout	•	•	•	-
400573	refrigerator ventilator with switch	•	•	•	•
401401	800 W, contents 19 l; can not be combined with oven	•	•	•	•
	<b>gas, heating, water</b>				
450092	Waste water system not fixed (waste water tank on wheels, syphon) (waste water tank on wheels, syphon)	•	•	•	•
351386	Alde warm water heating - no service flap (depending on layout) (depending on layout, on request)	•	•	•	•
451443	city water connection – via 45-litres-tank (external filling)	•	•	•	•
451444	city water connection – via 70/75-litres-tank (external filling) not available in combination with 3rd bunk bed (Puccini, Paganini 75 ltr.; Da Vinci, Vivaldi 70 ltr.)	•	•	•	•
551363	Electric fireplace Paganini 655 MDW	•	•	•	•
301057	Teleindication + Ice-Ex for DuoComfort or DuoControl	•	•	•	•
351388	floor heating (electric 26 V) up to 585	•	•	•	•
351389	floor heating (electric 26 V) up to 620	•	•	•	•
301385	gas socket outlet, front right side	•	•	•	•
351387	heating with ultra-heat (Truma electric heating) - not available in combination with ALDE warm water heating	•	•	•	•
301056	Truma DuoControl	•	•	•	•
301047	Truma SecuMotion (enables operation with gas during the ride, teleindication not possible)	•	•	•	•
301048	Truma SecuMotion with DuoComfort (enables operation during the ride)	•	•	•	•
351390	Truma "Open fire" front case, only Truma S 5002	•	•	•	•
451481	Warmwasserversorgung Truma - 10l Boiler mit E-Stab	•	•	•	•
451445	Water connection fixed with pressure valve (without 45-litres-tank)	•	•	•	•
	<b>conditioning</b>				
551391	Dometic B2200 (in some models Heki 2 has to be cancelled)	•	•	•	-
551393	Preparation for air conditioning installation for air condition	•	•	•	-
551392	Dometic B2200 (for smaller models no Heki 2, depending on layout)	•	•	•	-
551392	Truma Saphir Comfort – located in the seat group	-	-	-	•

item code	
<b>150006</b>	<p><b>Autark package</b> Da Vinci, Vivaldi, Puccini, Paganini</p> <p>Truma boiler BN-10 for gas-fuelled and electric operation with water holding capacity of 10 l, waste water tank on wheels with a capacity of 27 l, integrated in bottle box, syphon, toiletroom with shower fittings and curtain (no 230-V-socket outlet), electronic 16 A recharger with 10 A voltage lifter for optimal charging during the ride, integrated battery alerter, 10 A solar controller, connection for battery temperature sensor, 80 AH gel battery, suitable for solar technology (equivalent to 100 AH lead-acid battery), battery capacity indicator via board control, coupling possible to basic module</p>
<b>150005</b>	<p><b>12-V-supply package</b> Da Vinci, Vivaldi, Puccini, Paganini</p> <p>Electronic 16 A charger with 10 A voltage lifter for optimal charging while driving, battery monitor, integrated 10 A solar controller, connection for battery temperature sensor, 80 AH gel battery, indicator through board control, can be coupled to the basic module</p>
<b>150012</b>	<p><b>Comfort plus package</b> Da Vinci, Vivaldi, Puccini, Paganini</p> <p>150840 AL-KO Stabilform steadies with Big Foot easier crank insertion at crank steadies with Big Foot (excellent ease of operation),</p> <p>251491 Awning lamp with motion detector (responds at a distance of 2.5 m) xenon light for improved illumination,</p> <p>551492 Cold-foam mattress with Tabbert bed system</p> <p>450563 Fresh water level indicator</p> <p><b>Info: Comfort Plus package not available for Paganini 655 MDW</b></p>

item code	
<b>150013</b>	<b>DaVinci 700 KD (without Tabbert bed system, only with cold-foam mattress)</b>
<b>150090</b>	<p><b>Deko package</b> Da Vinci / Vivaldi / Puccini / Paganini</p> <p>2 cushions 40 x 40 cm, 1 tablecloth 40 cm x 150 cm</p>
<b>150030</b>	<p><b>F.A.C.E Silverline package – just available for PAGANINI</b> outer paint silver, flush all- around window system</p>
<b>150060</b>	<p><b>Kitchen package - just available for PAGANINI</b> sink cover in solid surface dishrack in solid surface holder in the wardrobe High - gloss kitchen back board</p>
<b>150070</b>	<p><b>Gourmet package kitchen Puccini</b> 3-burner Spinflo cooker in home kitchen standard Sink with top-mounted mixing tap matching the Spinflo cooker sink cover and dishrack High - gloss kitchen back board</p>
<b>551722</b>	<p><b>Deko package „Kids“</b> Da Vinci 540 DM 2,3 and 2,5 or 585 DM with double bunk bed play panel on bedspring below kids curtains curtain to the bed in the lower range for cavity building</p>

## WEIGHT INCREASES 2011

item code	category	type	maximum technically permissible laden mass (in kg)	
151453	1	PUCCHINI 655 D 2,5	1.900	2.000*
		PUCCHINI 685 DF 2,5	1.900	2.000*
		VIVALDI 655 D 2,5	1.900	2.000*
151451	3	DA VINCI 450 TD 2,3	1.300	1.400/1.500**
		DA VINCI 540 DM 2,3	1.600	1.700*
		DA VINCI 540 DM 2,5	1.600	1.700*
		DA VINCI 585 DM 2,5	1.600	1.700*
		PUCCHINI 495 HE 2,3	1.600	1.700*
		VIVALDI 450 TD 2,3	1.300	1.400/1.500**
		VIVALDI 495 HE 2,3	1.500	1.600**
		VIVALDI 525 TD 2,3	1.500	1.600**
		VIVALDI 540 E 2,3/2,5	1.600	1.700*
		VIVALDI 540 DV 2,3/2,5	1.600	1.700*
		VIVALDI 550 E 2,3/2,5	1.600	1.700*
		VIVALDI 550 DV 2,3/2,5	1.600	1.700*
		VIVALDI 560 E 2,3/2,5	1.600	1.700*
		VIVALDI 560 TD 2,3/2,5	1.600	1.700*
151452	4	DA VINCI 540 DM 2,5	1.600	1.800**
		DA VINCI 585 DM 2,5	1.600	1.800**
		DA VINCI 700 KD 2,5	2.200	2.500*
		PAGANINI 655 DF 2,5	2.200	2.500*
		PAGANINI 655 MDW 2,5	2.200	2.500*
		PUCCHINI 495 HE 2,3	1.600	1.800**
		PUCCHINI 550 E 2,3/2,5	1.700	1.800/1.900**
		PUCCHINI 560 TD 2,3/2,5	1.700	1.800/1.900**
		PUCCHINI 560 UEB 2,5	1.700	1.800/1.900**
		PUCCHINI 655 D 2,5	1.900	2.500**
		PUCCHINI 685 DF 2,5	1.900	2.500**
		VIVALDI 495 HE 2,3	1.500	1.700**
		VIVALDI 525 TD 2,3	1.500	1.700**
		VIVALDI 540 E 2,3/2,5	1.600	1.800**
VIVALDI 540 DV 2,3/2,5	1.600	1.800**		
VIVALDI 550 E 2,3/2,5	1.600	1.800**		
VIVALDI 550 DV 2,3/2,5	1.600	1.800**		
VIVALDI 560 E 2,3/2,5	1.600	1.800**		
VIVALDI 560 TD 2,3/2,5	1.600	1.800**		

## EXPLANATIONS ON THE WEIGHT DATA FOR YOUR TABBERT CARAVAN:

Tabbert caravans feature a high payload capacity. With innovative solutions such as the use of high-strength steels for the chassis or intelligent sandwich technology in furniture construction we are able to realise a low unladen weight of our Tabbert caravans.

The law now requires that the weight data of a caravan must state the "mass in running order" and the "maximum technically permissible laden mass" (DIN EN 1645-2):

## The "mass in running order" is defined as:

Mass of the unladen vehicle  
 + liquid gas bottles (100% full)  
 + fresh water tank (100% full)  
 mass in running order

The "maximum technically permissible laden mass" defines the maximum permissible mass of the vehicle (vehicle incl. optional equipment / accessories / packages, and gas, water, luggage, load, etc.) for driving.

For you as a caravan user the important value of the maximum user payload (for luggage, load, gas, water, etc.) is calculated from the difference between "maximum technically permissible laden mass" and "mass of the unladen vehicle":

## Example:

Mass of the unladen vehicle	1,090 kg
Maximum technically permissible laden mass	1,400 kg
<hr/>	
Maximum user payload	310 kg (luggage, load, gas, water, etc.)

The mass of the unladen vehicle is determined by weighing a vehicle with standard equipment (without optional equipment, accessories or equipment packages).

Please observe that optional equipment, accessories and packages have an influence on the mass of the unladen vehicle and can therefore lead to a reduction of the maximum user payload of a caravan. It is your duty as the user of a caravan to make sure that you will not exceed the maximum technically permissible laden mass while driving.

## Information

Errors excepted. All data are subject to change without notice. There may have been product changes after the editorial deadline (07/2010) of this price list.

The mass in running order and the maximum user payload are subject to EC directives 97/27 and EN-1645-2: ± 5% possible deviation. Optional equipment increases the mass in running order.

The mattress dimensions may slightly differ from the stated bed dimensions. For details on refrigerator capacities please refer to manufacturer information.

For organisational reasons it is not possible for customers to collect vehicles at our plant. With the publishing of this price information all former price lists become void.

\* possible up to four weeks before production

\*\* possible up to three months before production



**TABBERT** 

*M o v i n g   M o m e n t s*

KNAUS TABBERT GmbH  
Helmut-Knaus-Straße 1  
D-94118 Jandelsbrunn

Fon: +49 (0) 85 83 / 21 - 1  
Fax: +49 (0) 85 83 / 21 - 380

E-Mail: [tabbert@tabbert.de](mailto:tabbert@tabbert.de)  
[www.tabbert.de](http://www.tabbert.de)